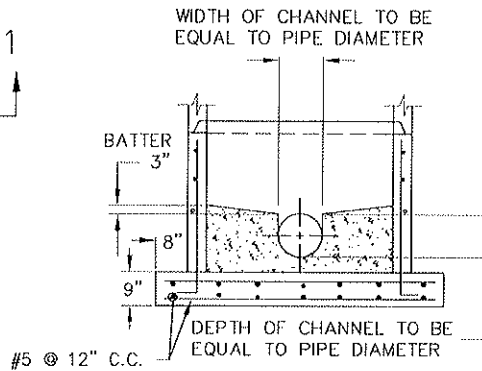
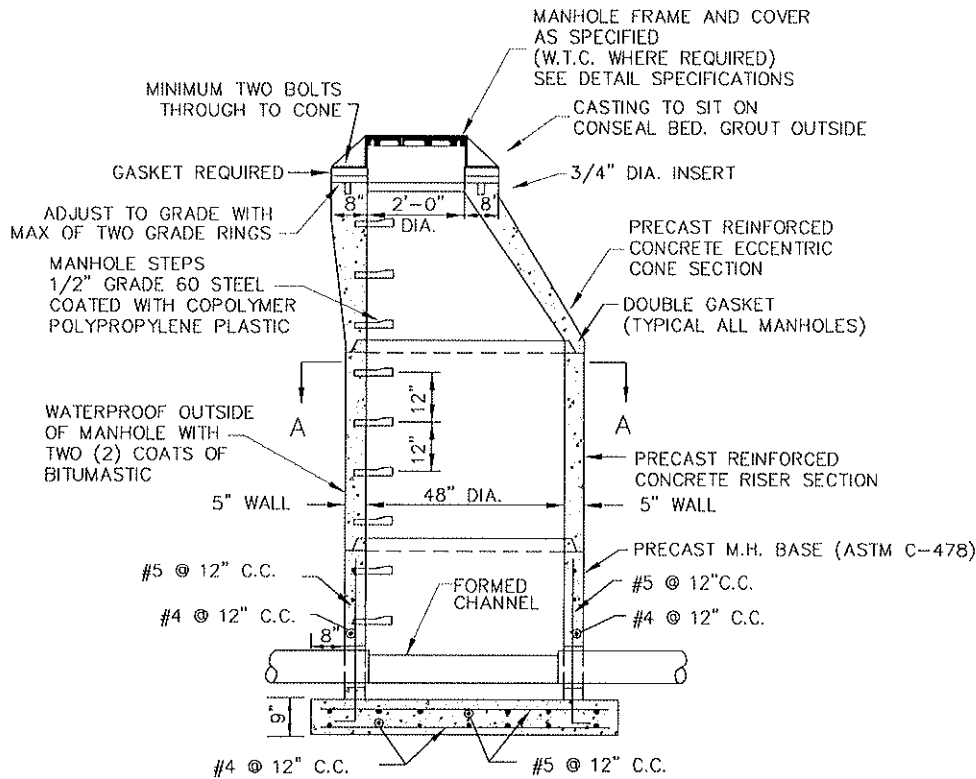


**PLAN BELOW A-A**  
**TYPICAL MANHOLE - PLAN SECTION**



**SECTION 3-3**  
**TYPICAL PRECAST MANHOLE BASE**



**PRECAST MANHOLE DETAIL**